

Taikan

HIGH-END INTELLIGENT EQUIPMENT TURNKEY SOLUTION SERVICE PROVIDER



HIGH-PRECISION CNC SLITTING LATHE (CENTERING MACHINE)

High-end intelligent equipment turnkey solution service provider

Taikan



NO. **183**

Shenzhen's Top 500
Enterprises in 2023

NO. **175**

Guangdong top 500
manufacturers

TOP **100**

Top 100 domestic enterprises

Bao an District, Shenzhen
Top 100 enterprises by tax contribution
Top 100 enterprises by innovation
Top 100 enterprises by output value
Top 100 enterprises by added value

COMPANY PROFILE

Guangdong Create Century Intelligent Equipment Group Co., Ltd. (Create Century, Stock code: 300083) was listed on the Shenzhen Stock Exchange in 2010 and transformed into Intelligent Equipment Co., Ltd. in 2016. The company is a national high-tech enterprise of intelligent equipment, integrating R&D, production, sales and service. With nearly 20 years of industry experience, it can provide customers with high-quality equipment and intelligent solution service. It is one of the companies with the most complete technology and the widest product range among similar domestic companies.



4 R&D Centers

Shenzhen Suzhou
Shanghai Xi'an



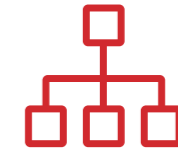
500+ R&D Engineers

The company boasts a technical advisory board consisting of industry-leading technical experts from Mainland China, Taiwan, South Korea, Malaysia, Germany, and other regions, along with a dedicated R&D team of over 500 professionals.



700+ Core Patents

Invention patents-----168
Utility model patents-----509
Design patents-----121
Software copyrights-----88



4 Strategic Cooperation Institutions

Shenzhen academician <expert> workstation
Intelligent precision machining key technology engineering laboratory
Guangdong engineering technology research center
Shenzhen enterprise technology center

Four Production Bases



📍 Huzhou Manufacturing Headquarters



📍 Yibin Manufacturing Base



📍 Dongguan Manufacturing Base



📍 Suzhou Manufacturing Base

数控纵切自动车床

CNC SLITTING AUTOMATIC LATHE

ST-203 I / 263 I
ST-203 II / 263 II
ST-323 II



特点

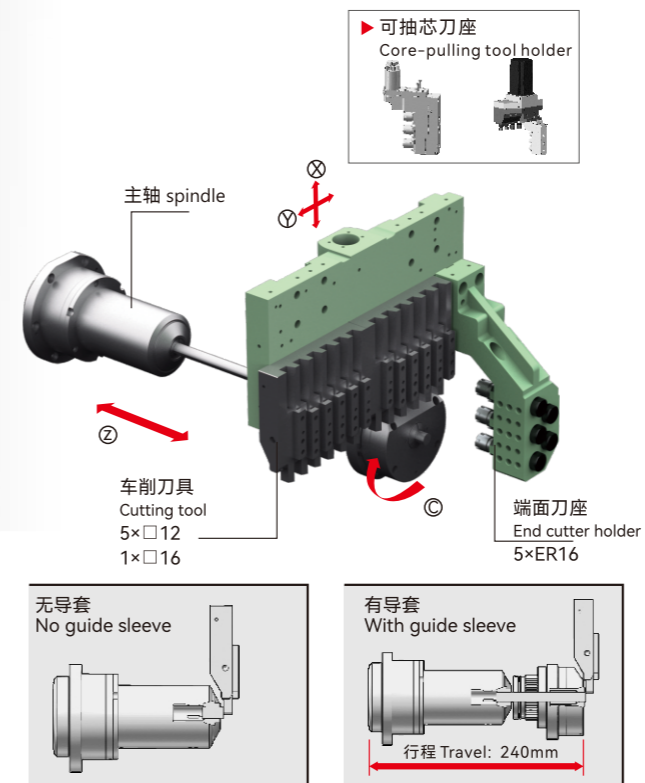
- ★ 单主轴单系统，主轴采用内藏式电主轴
- ★ 采用32m/min的快速位移速度
- ★ 可转动面板，内部空间大，操作性好
- ★ 采用三菱数控系统，高稳定性
- ★ 无导套、有导套可互换，行程240mm
- ★ 标准配有5个动力头。
- ★ 采用三菱E80系统，高速、高精度、高稳定性
三菱系统二次开发，冷热机补偿画面

PRODUCT DESCRIPTION

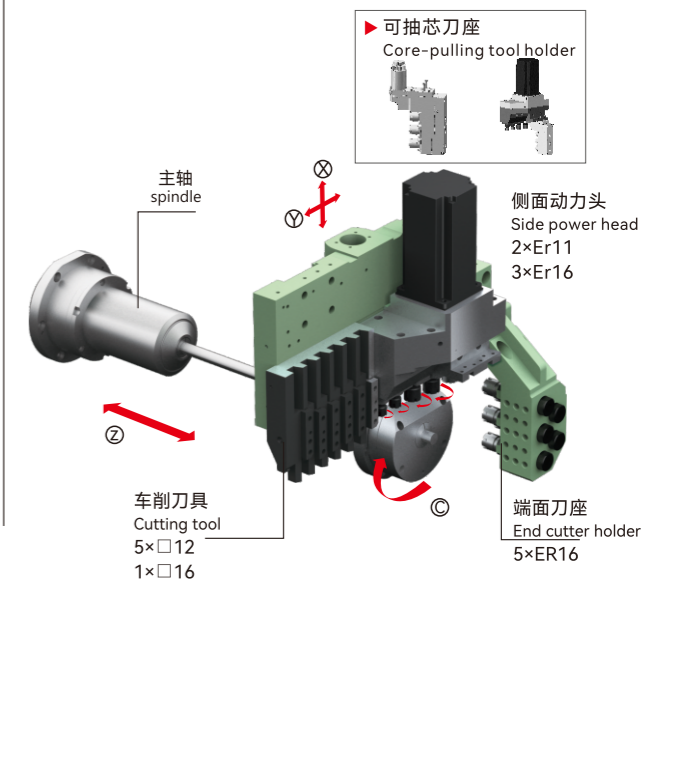
- ★ Single spindle single system, the main shaft adopts the built-in motorized spindle
- ★ A fast displacement velocity of 32m/min was adopted
- ★ Rotable panel, large internal space, good operation
- ★ Adopt mitsubishi numerical control system, high stability
- ★ No guide sleeve, guide sleeve can be interchangeable, stroke 240mm
- ★ Five power heads come standard
- ★ Adopt Mitsubishi E80 system, high speed, high precision, high stability Mitsubishi system secondary development, cold and hot machine compensation screen

刀具排布 Tool layout

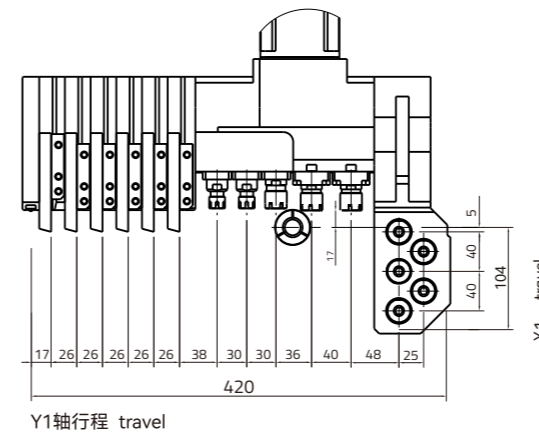
ST-203I / 263I



ST-203II / 263II / 323II



行程干涉图 Travel interference pattern



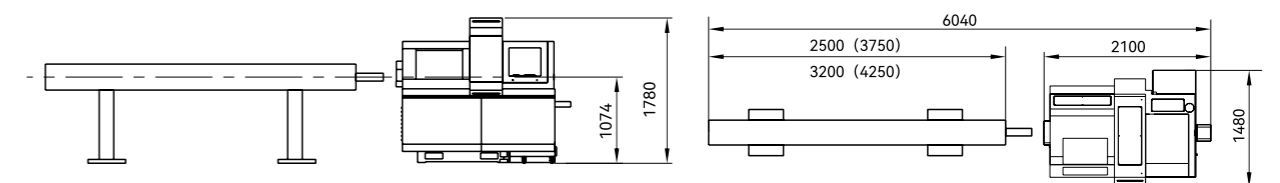
标准配置 Standard configuration

- ★ Mitsubishi E80三菱
- ★ 产品回收箱
- ★ 切断刀检查
- ★ 长短复合接料器
- ★ 旋转导套/无导套
- ★ Mitsubishi E80
- ★ Recycling box
- ★ Cutting tool check
- ★ Long and short composite receivers
- ★ Rotating guide sleeve/ No guide sleeve

选用配置 Optional configuration

- ★ SYNTEC新代
- ★ FANUC-OI-TF发那科
- ★ 主轴正面端铣
- ★ 高压油泵/油雾回收装置
- ★ 动力刀座
- ★ 自动送料机
- ★ SYNTEC
- ★ FANUC-OI-TF Fanuc
- ★ Spindle front end milling
- ★ High pressure oil pump/oil collector
- ★ Power tool holder
- ★ Auto feeder

安装图 Assemble



数控纵切自动车床

CNC SLITTING AUTOMATIC LATHE

ST-203 III / 263 III
ST-323 III



特点

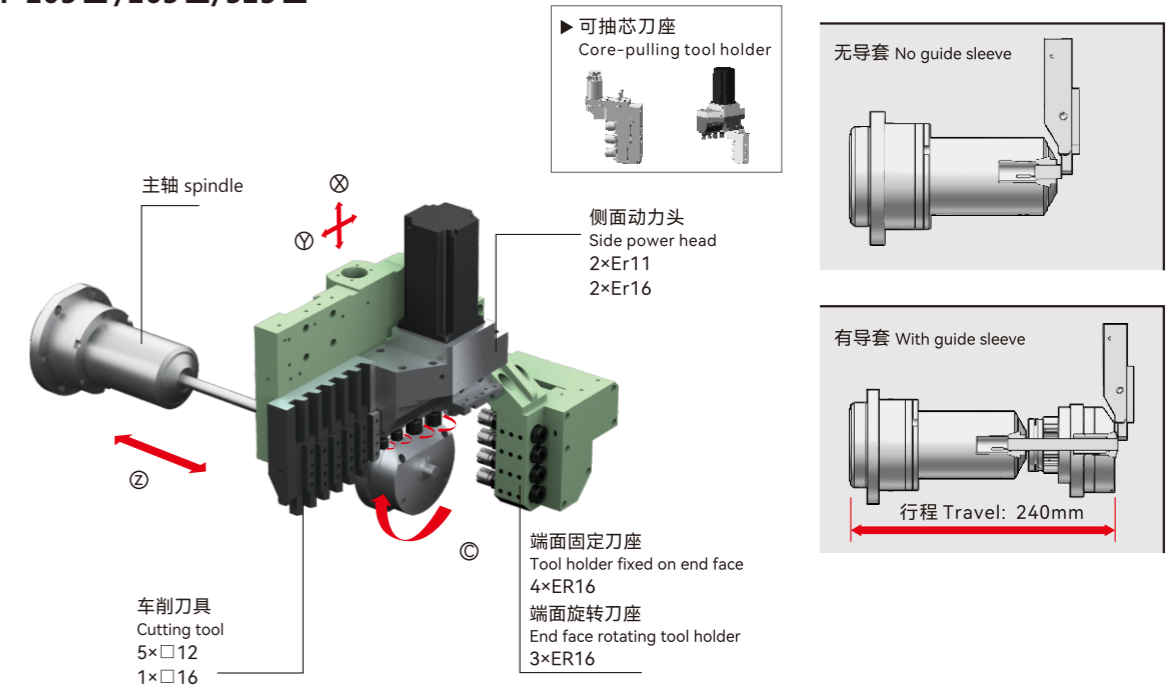
- ★ 单主轴单系统，主轴采用内藏式电主轴
- ★ 采用32m/min的快速位移速度
- ★ 可转动面板，内部空间大，操作性好
- ★ 采用新代数控系统，高稳定性
- ★ 无导套、有导套可互换，行程240mm
- ★ 标准配有5个动力头。

PRODUCT DESCRIPTION

- ★ Single spindle single system, the main shaft adopts the built-in motorized spindle
- ★ Adopt rapid displacement speed of 32m/min
- ★ Rotable panel, large internal space, good operation
- ★ Adopt syntec controller system, high stability
- ★ No guide sleeve, guide sleeve can be interchangeable, travel 240mm
- ★ Standard equipped 5 power tool head

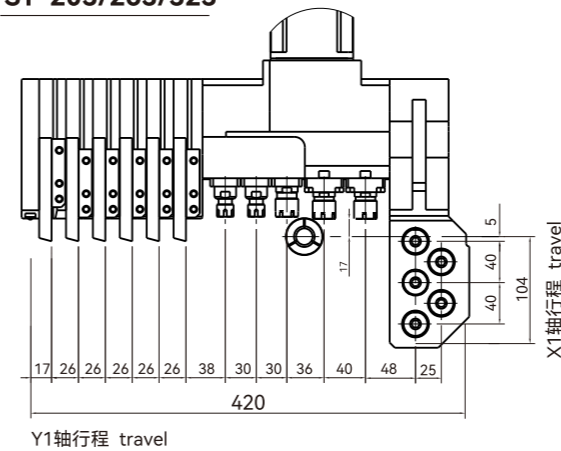
刀具排布 Tool layout

ST-203 III / 263 III / 323 III



行程干涉图 Travel interference pattern

ST-203/263/323



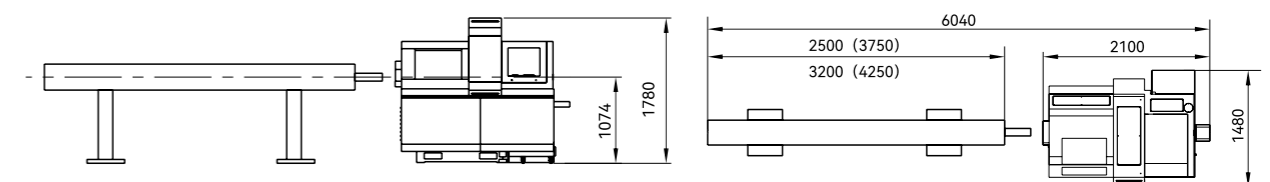
标准配置 Standard configuration

- ★ SYNTEC新代
- ★ 产品回收箱
- ★ 切断刀检查
- ★ 长短复合接料器
- ★ 旋转导套/无导套
- ★ SYNTEC
- ★ Products recycling box
- ★ Cutting tool checking
- ★ Long and short composite receivers
- ★ Rotating guide sleeve/no guide sleeve

选用配置 Optional configuration

- ★ FANUC-OI-TF发那科
- ★ 高压油泵/油雾回收装置
- ★ 动力刀座
- ★ 自动送料机
- ★ FANUC-OI-TF Fanuc
- ★ High-pressure oil pump/oil collector
- ★ Power tool holder
- ★ Auto feeder

安装图 Assemble



数控纵切自动车床 CNC SLITTING AUTOMATIC LATHE

ST-205 I / 265 I
ST-205 II / 265 II



特点

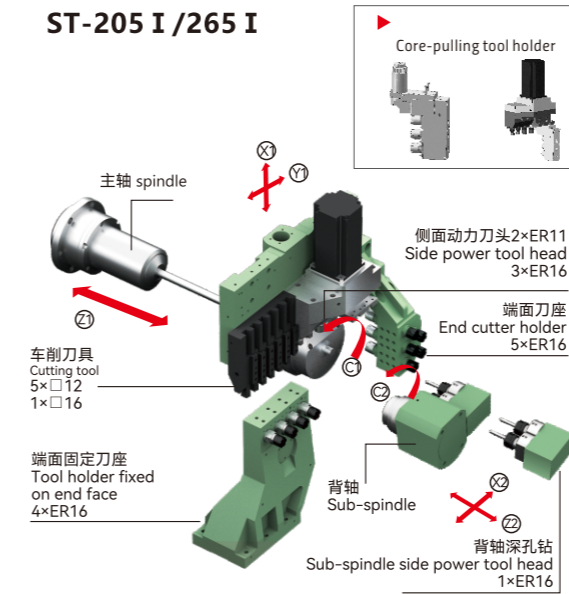
- ★ 双主轴双系统，主轴采用内藏式电主轴
- ★ 位移速度32m/min
- ★ 刀具布展丰富，扩展性好
- ★ 动力刀具5支，端面孔刀具5支
- ★ 无导套、有导套可互换
- ★ 采用三菱M80系统，高速、高精度、高稳定性
三菱系统二次开发，冷热机补偿画面

PRODUCT DESCRIPTION

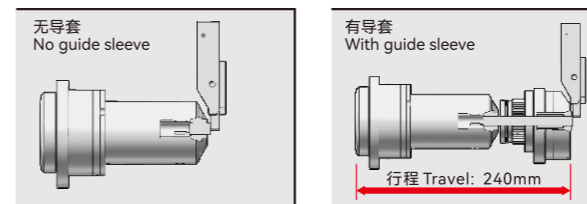
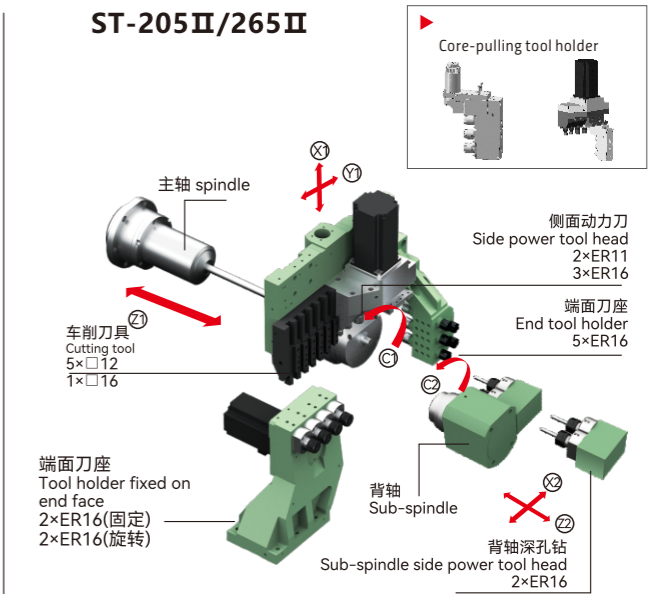
- ★ Double spindle double system, the spindle adopts the built-in motorized type
- ★ Rapid speed 32m/min
- ★ The tool layout is rich, good expansibility
- ★ 5 power cutting tools, 5 end face cutting tools
- ★ No guide sleeve, guide sleeve can be interchangeable
- ★ Adopt Mitsubishi M80 system, high speed, high precision, high stability Mitsubishi system secondary development, cold and hot machine compensation screen

刀具排布 Tool layout

ST-205 I / 265 I

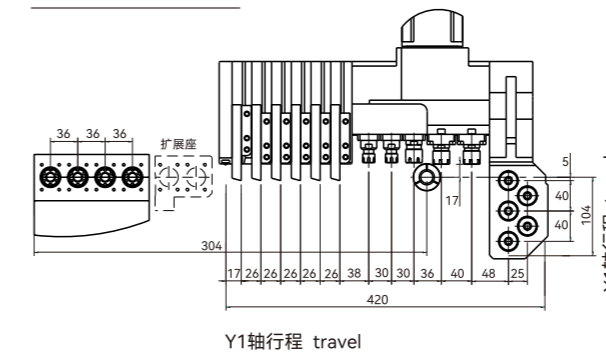


ST-205 II / 265 II



行程干涉图 Travel interference pattern

ST-205/265



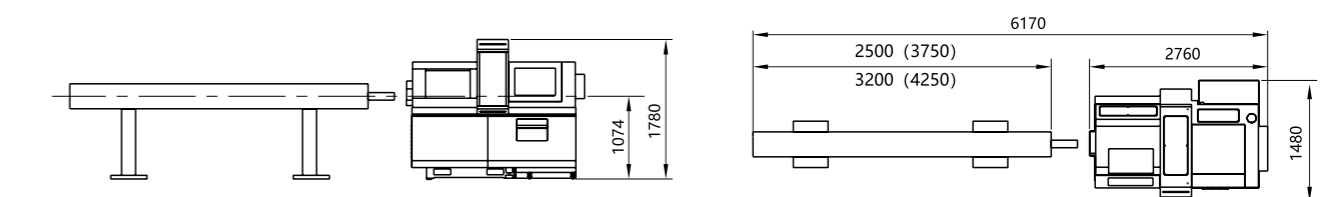
标准配置 Standard configuration

- ★ Mitsubishi M80三菱
- ★ 产品回收箱
- ★ 切断刀检查
- ★ 长短复合接料器
- ★ 旋转导套/无导套
- ★ Mitsubishi M80
- ★ Products recycling box
- ★ Cutting off tool checking
- ★ Long and short composite receivers
- ★ Rotating guide sleeve/no guide sleeve

选用配置 Optional configuration

- ★ 发那科FANUC-OI-TF)
- ★ 主轴正面端铣
- ★ 高压油泵/油雾回收装置
- ★ 动力刀座
- ★ 自动送料器
- ★ FANUC-OI-TF Fanuc
- ★ Spindle front end milling
- ★ High pressure oil pump/oil collector
- ★ Power tool holder
- ★ Auto-feeder

安装图 Assemble



数控纵切自动车床

CNC SLITTING AUTOMATIC LATHE

ST-206 / 266



特点

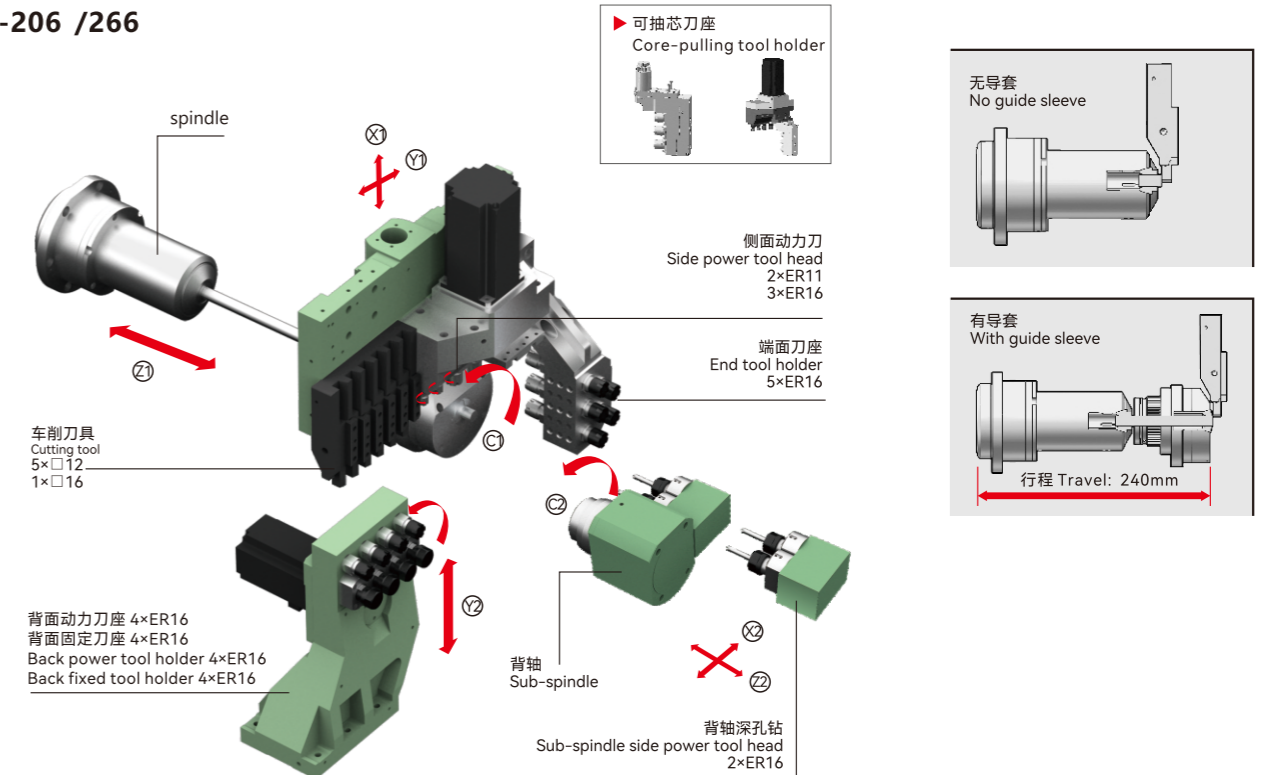
- ★ 双主轴双系统，主轴采用内藏式电主轴
- ★ 位移速度32m/min
- ★ 刀具布展丰富，扩展性好
- ★ 动力刀具5支，端面孔刀具5支
- ★ 无导套、有导套可互换
- ★ 采用三菱M80系统，高速、高精度、高稳定性
三菱系统二次开发，冷热机补偿画面

PRODUCT DESCRIPTION

- ★ Double spindle double system, the spindle adopts the built-in motorized type
- ★ Rapid speed 32m/min
- ★ The tool layout is rich, good expansibility
- ★ 5 power cutting tools, 5 end face cutting tools
- ★ No guide sleeve, guide sleeve can be interchangeable
- ★ Adopt Mitsubishi M80 system, high speed, high precision, high stability Mitsubishi system secondary development, cold and hot machine compensation screen

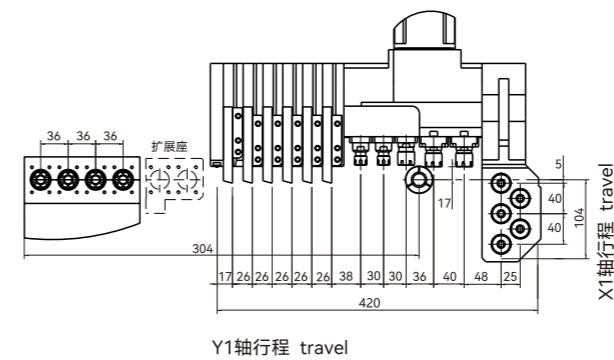
刀具排布 Tool layout

ST-206 / 266



行程干涉图 Travel interference pattern

ST-206/266



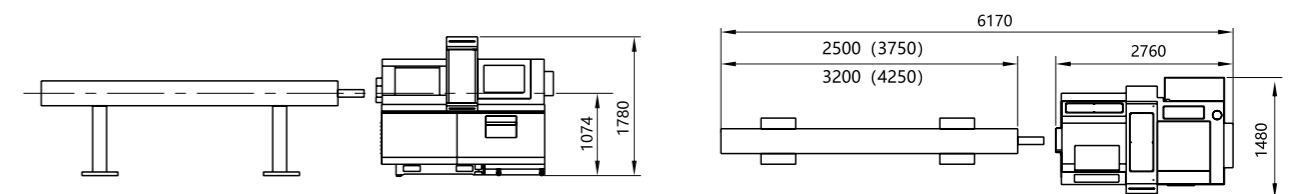
标准配置 Standard configuration

- ★ Mitsubishi M80三菱
- ★ 产品回收箱
- ★ 切断刀检查
- ★ 长件接料器 短件推料器
- ★ 旋转导套/无导套
- ★ Mitsubishi M80
- ★ Products recycling box
- ★ Cutting off tool checking
- ★ Long piece feeder short piece pusher
- ★ Rotating guide sleeve/no guide sleeve

选用配置 Optional configuration

- ★ 发那科 FANUC-OI-TF
- ★ 主轴正面端铣
- ★ 高压油泵/油雾回收装置
- ★ 动力刀座
- ★ 自动送料机
- ★ FANUC-OI-TF Fanuc
- ★ Spindle front end milling
- ★ High pressure oil pump/oil collector
- ★ Power tool holder
- ★ Auto-feeder

安装图 Assemble



数控纵切自动车床 CNC SLITTING AUTOMATIC LATHE

ST-325 I / ST-325 II



特点

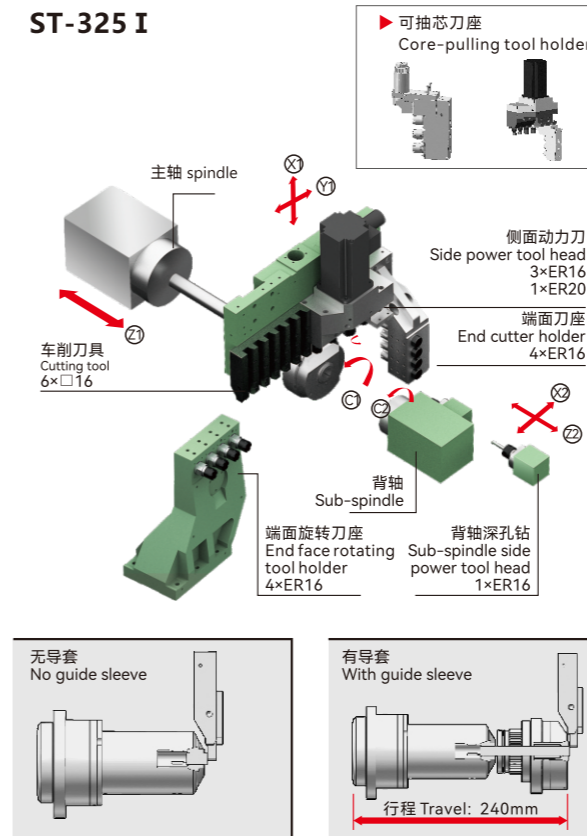
- ★ 双主轴双系统，主轴采用机械式电主轴
- ★ 位移速度32m/min
- ★ 刀具布展丰富，扩展性好
- ★ 动力刀具4支，端面孔刀具4支
- ★ 无导套、有导套可互换
- ★ 采用三菱M80系统，高速、高精度、高稳定性
三菱系统二次开发，冷热机补偿画面

PRODUCT DESCRIPTION

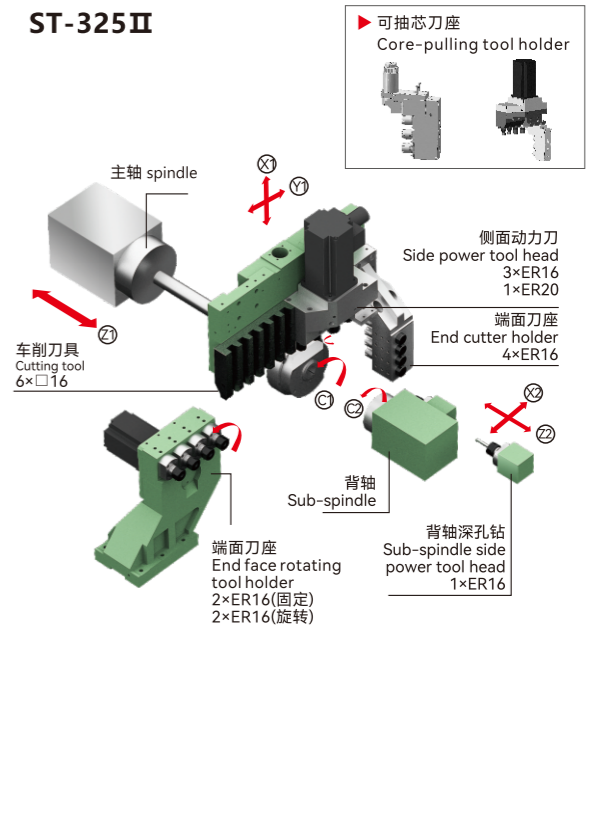
- ★ Double spindle double system, the spindle adopts the built-in motorized type
- ★ Rapid speed 32m/min
- ★ The tool layout is rich, good expansibility
- ★ 4 power cutting tools, 4 end face cutting tools
- ★ No guide sleeve, guide sleeve can be interchangeable
- ★ Adopt Mitsubishi M80 system, high speed, high precision, high stability Mitsubishi system secondary development, cold and hot machine compensation screen

刀具排布 Tool layout

ST-325 I

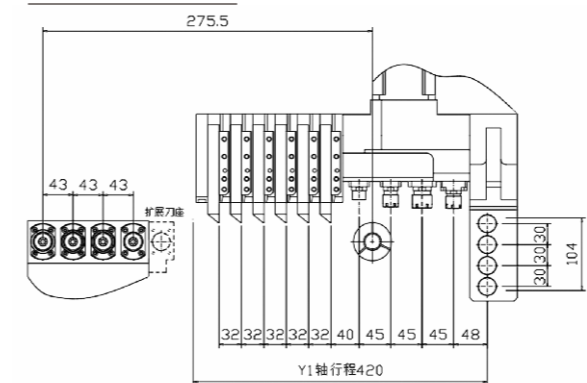


ST-325 II



行程干涉图 Travel interference pattern

ST-325



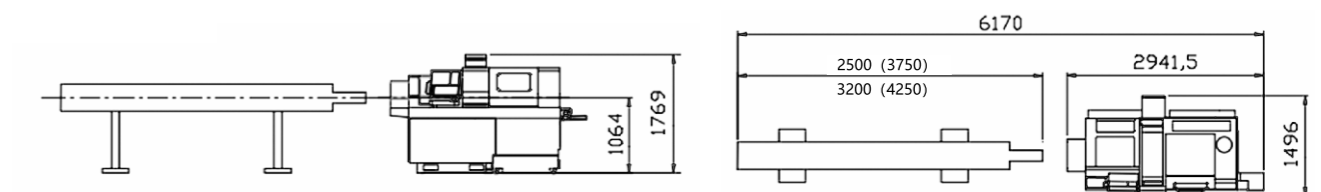
标准配置 Standard configuration

- | | |
|--------------------|---|
| ★ Mitsubishi M80三菱 | ★ Mitsubishi M80 |
| ★ 产品回收箱 | ★ Products recycling box |
| ★ 切断刀检查 | ★ Cutting off tool checking |
| ★ 长短复合接料器 | ★ Long and short composite receivers |
| ★ 旋转导套/无导套 | ★ Rotating guide sleeve/no guide sleeve |

选用配置 Optional configuratin

- | | |
|-------------------|--|
| ★ 发那科 FANUC-OI-TF | ★ FANUC-OI-TF Fanuc |
| ★ 主轴正面端铣 | ★ Spindle front end milling |
| ★ 高压油泵/油雾回收装置 | ★ High pressure oil pump/oil collector |
| ★ 动力刀座 | ★ Power tool holder |
| ★ 自动送料机 | ★ Auto-feeder |

安装图 Assemble



数控纵切自动车床 CNC SLITTING AUTOMATIC LATHE

ST-385 I / ST-385 II



特点

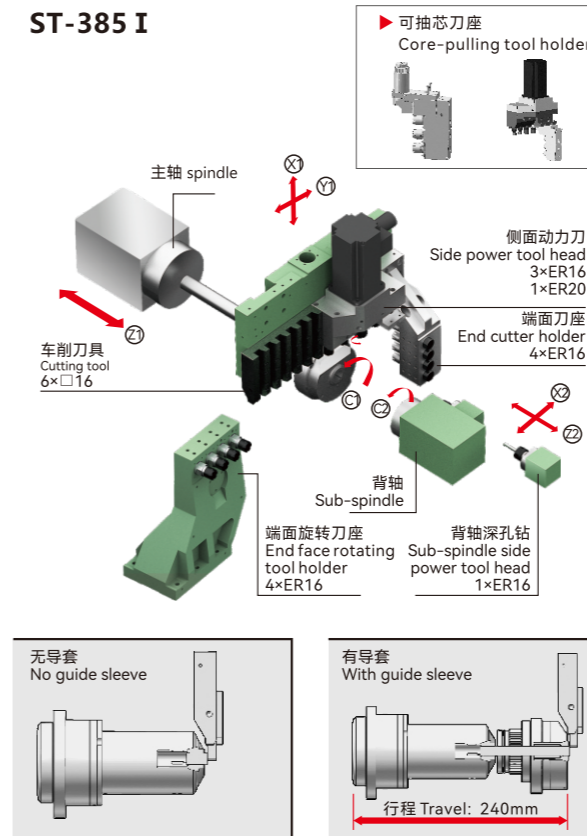
- ★ 双主轴双系统，主轴采用机械式主轴
- ★ 位移速度32m/min
- ★ 刀具布展丰富，扩展性好
- ★ 动力刀具4支，端面刀具4支
- ★ 无导套、有导套可互换
- ★ 采用三菱M80系统，高速、高精度、高稳定性
三菱系统二次开发，冷热机补偿画面

PRODUCT DESCRIPTION

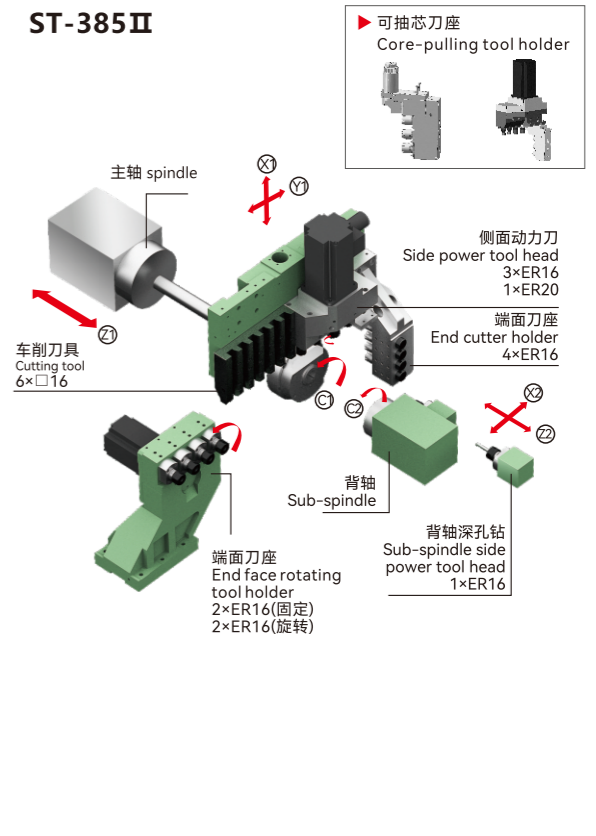
- ★ Double spindle double system, the spindle adopts mechanical spindle
- ★ Rapid speed 32m/min
- ★ The tool layout is rich, good expansibility
- ★ 4 power cutting tools, 4 end face cutting tools
- ★ No guide sleeve, guide sleeve can be interchangeable
- ★ Adopt Mitsubishi M80 system, high speed, high precision, high stability Mitsubishi system secondary development, cold and hot machine compensation screen

刀具排布 Tool layout

ST-385 I

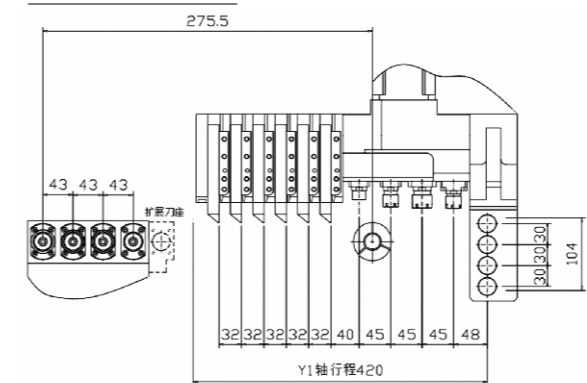


ST-385 II



行程干涉图 Travel interference pattern

ST-325



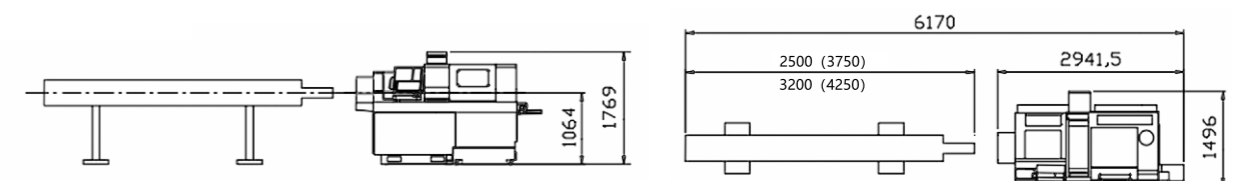
标准配置 Standard configuration

- ★ Mitsubishi M80三菱
- ★ 产品回收箱
- ★ 切断刀检查
- ★ 长短复合接料器
- ★ 旋转导套/无导套
- ★ Mitsubishi M80
- ★ Products recycling box
- ★ Cutting off tool checking
- ★ Long and short composite receivers
- ★ Rotating guide sleeve/no guide sleeve

选用配置 Optional configuratin

- ★ 发那科 FANUC-OI-TF
- ★ 主轴正面端铣
- ★ 高压油泵/油雾回收装置
- ★ 动力刀座
- ★ 自动送料机
- ★ FANUC-OI-TF Fanuc
- ★ Spindle front end milling
- ★ High pressure oil pump/oil collector
- ★ Power tool holder
- ★ Auto-feeder

安装图 Assemble



项目 Item	单位 Unit	ST-203 3轴, 单主轴 3 axis, single	ST-263 3轴, 单主轴 3 axis, single	ST-323 3轴, 单主轴 3 axis, single	ST-203III 3轴, 单主轴 3 axis, single	ST-206 6轴, 双主轴 6 axis, single	ST-266 6轴, 双主轴 6 axis, single	ST-263III 3轴, 单主轴 3 axis, single	ST-205 5轴, 双主轴 5axis, double spindle	ST-265 5轴, 双主轴 5axis, double spindle	ST-325 5轴, 双主轴 5axis, double spindle	ST-385 5轴, 双主轴 5axis, double spindle
最大加工直径 Max process diameter	mm	Ø20	Ø26	Ø32	Ø20	Ø20	Ø26	Ø26	Ø20	Ø26	Ø32	Ø38
最大加工长度 Max process length	mm	Max. 240	Max. 240	Max. 240	Max. 240	Max. 240	Max. 240	Max. 240	Max. 240	Max. 240	Max. 240	Max. 240
正面钻孔直径 Front hole diameter	mm	Max. Ø10	Max. Ø10	Max. Ø13 (铜)	Max. Ø10	Max. Ø10	Max. Ø10	Max. Ø10	Max. Ø10	Max. Ø10	Max. Ø13 (铜)	Max. Ø13 (铜)
正面螺纹加工 Front thread machining		Max. M8(铜)	Max. M8(铜)	Max. M8(铜)	Max. M8(铜)	Max. M8(铜)	Max. M8(铜)	Max. M8(铜)	Max. M8(铜)	Max. M8(铜)	Max. M8(铜)	Max. M10(铜)
主轴最大通孔直径 Max diameter of Spindle through hole	mm	Max. Ø23	Max. Ø28	Max. Ø33	Max. Ø23	Max. Ø23	Max. Ø28	Max. Ø28	Max. Ø23	Max. Ø28	Max. Ø33	Max. Ø40
NC 装置 NC equipment	标配	新代22TB数控系统	Mitsubishi E80 三菱	Mitsubishi E80 三菱	新代22TB数控系统	Mitsubishi E80 三菱	Mitsubishi E80 三菱	新代22TB数控系统	Mitsubishi M80 三菱	Mitsubishi M80LA 三菱	Mitsubishi M80LA 三菱	Mitsubishi M80LA 三菱
	选配	SYNTEC 新代 FANUC-OI-TF 发那科	SYNTEC 新代 FANUC-OI-TF 发那科	SYNTEC 新代 FANUC-OI-TF 发那科	FANUC-OI-TF 发那科	FANUC-OI-TF 发那科	FANUC-OI-TF 发那科	FANUC-OI-TF 发那科	FANUC-OI-TF 发那科	FANUC-OI-TF 发那科	FANUC-OI-TF 发那科	FANUC-OI-TF 发那科
机床额定功率 Machine rating power	kw	8	8	8	8	8	8	8	12	10	12	12
主轴电机功率 Spindle motor power	kw	3.7/5.5	3.7/5.5	3.7/5.5	3.7/5.5	3.7/5.5	3.7/5.5	3.7/5.5	3.7/5.5	3.7/5.5	-	2.2/3.7
背轴电机功率 Back spindle motor power	kw	-	-	-	-	-	-	-	3.7/5.5	3.7/5.5	1.5/2.2	1.5/2.2
C轴分度 C axis dividing	°	C1 0.001°	C1 0.001°	C1 0.001°	C1 0.001°	C1 0.001°	C1 0.001°	C1 0.001°	C1/C2 0.001°	C1/C2 0.001°	C1/C2 0.001°	C1/C2 0.001°
主/背轴转速 Spindle/Back-spindle speed	rpm	Max. 8000	Max. 8000	Max. 8000	Max. 8000	Max. 8000	Max. 8000	Max. 8000	Max. 8000	Max. 8000	Max. 8000/8000	Max. 6000
车削刀具 Cutting tool		5*□12+1*□16	5*□12+1*□16	6*□16	5*□12+1*□16	6*□12	5*□12+1*□16	5*□12+1*□16	5*□12+1*□16	5*□12+1*□16	6*□16	6*□16
侧铣刀具 Side mill tool		2*ER11+3*ER16	2*ER11+3*ER16	1*ER20 + 3*ER16	2*ER11 + 3*ER16	2*ER11 + 3*ER16	2*ER11 + 3*ER16	2*ER11+3*ER16	2*ER11+3*ER16	2*ER11+3*ER16	3*ER16+1*ER20	3*ER16+1*ER20
侧铣刀具钻孔直径 Borehole diameter of side milling tool	mm	Max. Ø10(铜)	Max. Ø10(铜)	Max. Ø13 (铜)(Cuprum)	Max. Ø10(铜)(Cuprum)	Max. Ø10(铜)(Cuprum)	Max. Ø10(铜)	Max. Ø10(铜)(Cuprum)	Max. Ø10(铜)(Cuprum)	Max. Ø10(铜)(Cuprum)	Max. Ø13 (铜)(Cuprum)	Max. Ø13 (铜)(Cuprum)
侧铣刀具螺纹加工(攻丝/板牙) Threading of side milling tool (tapping/die)		Max. M8(铜)	Max. M8(铜)	Max. M8(铜)(Cuprum)	Max. M8(铜)(Cuprum)	Max. M8(铜)(Cuprum)	Max. M8(铜)	Max. M8(铜)(Cuprum)	Max. M8(铜)(Cuprum)	Max. M8(铜)(Cuprum)	Max. M8(铜)(Cuprum)	Max. M8(铜)(Cuprum)
侧铣动力头转速 Side mill power head speed	rpm	Max. 5000	Max. 5000	Max. 5000	Max. 5000	Max. 5000	Max. 5000	Max. 5000	Max. 5000	Max. 5000	Max. 5000	Max. 5000
侧铣动力头功率 Side mill power tool power	kw	1	1	1	1	1	1	0.75	1	1	1	1
端面固定刀具 End face fixed tool		5*ER16	5*ER16	4*ER16	4*ER16	5*ER16	5*ER16	4*ER16	5*ER16	5*ER16	4*ER16	4*ER16
端面固定刀具钻孔直径 End face fixed tool drilling diameter	mm	Max. Ø10(铜)	Max. Ø10(铜)	Max. Ø13(铜)(Cuprum)	Max. Ø10(铜)(Cuprum)	Max. Ø10(铜)(Cuprum)	Max. Ø10(铜)(Cuprum)	Max. Ø10(铜)(Cuprum)	Max. Ø10(铜)(Cuprum)	Max. Ø10(铜)(Cuprum)	Max. Ø13(铜)(Cuprum)	Max. Ø13(铜)(Cuprum)
端面固定刀具螺纹加工(攻丝/板牙) Threading of End Face Fixed Tool (Tapping/Die)		Max. M8(铜)	Max. M8(铜)	Max. M8(铜)(Cuprum)	Max. M8(铜)(Cuprum)	Max. M8(铜)(Cuprum)	Max. M8(铜)(Cuprum)	Max. M8(铜)(Cuprum)	Max. M8(铜)(Cuprum)	Max. M8(铜)(Cuprum)	Max. M8(铜)(Cuprum)	Max. M8(铜)(Cuprum)
端面动力刀具 End face power cutting tool		-	-	-	3*ER16	3*ER16	3*ER11+3*ER16	3*ER16	-	-	-	-
端面动力刀具钻孔直径 Hole diameter of end face power tool	mm	-	-	-	Max. Ø10(铜)(Cuprum)	-	-	Max. Ø10(铜)(Cuprum)	-	-	-	-
端面动力刀具螺纹加工(攻丝/板牙) End face power tool thread processing (Tapping/die)		-	-	-	Max. M8(铜)(Cuprum)	-	-	Max. M8(铜)(Cuprum)	-	-	-	-
端面动力刀具动力头转速 End face power cutting tool power head speed	rpm	-	-	-	Max. 5000	-	-	Max. 5000	-	-	-	-
端面动力刀具动力头功率 Power of end face power tool power head	kw	-	-	-	0.4	-	-	0.4	-	-	-	-
背面固定刀具 Back fixed tool		-	-	-	-	-	-	-	4*ER16(I) 2*ER16(II)	4*ER16(I) 2*ER16(II)	2*ER16(I) 2*ER16(II)	4*ER16
背面固定刀具钻孔直径 Back fixed tool drilling diameter	mm	-	-	-	-	-	-	-	Max. Ø10(铜)(Cuprum)	Max. Ø10(铜)(Cuprum)	Max. Ø13(铜)(Cuprum)	Max. Ø13(铜)(Cuprum)
背面固定刀具螺纹加工(攻丝/板牙) Threading of Back Fixed Tool (Tapping/Die)		-	-	-	-	-	-	-	Max. M8(铜)(Cuprum)	Max. M8(铜)(Cuprum)	Max. M8(铜)(Cuprum)	Max. M8(铜)(Cuprum)
背面动力刀具 Back powered tool		-	-	-	-	-	-	-	2*ER16(II) 无(I)	2*ER16(II) 无(I)	2*ER16(II) 无(I)	2*ER16(II) 无(I)
背面动力刀具钻孔直径 Borehole diameter of back power tool	mm	-	-	-	-	-	-	-	Max. Ø10(铜)(Cuprum)	Max. Ø10(铜)(Cuprum)	Max. Ø13(铜)(Cuprum)	Max. Ø13(铜)(Cuprum)
背面动力刀具螺纹加工(攻丝/板牙) Threading with back power tool (Tapping/die)		-	-	-	-	-	-	-	Max. M8(铜)(Cuprum)	Max. M8(铜)(Cuprum)	Max. M8(铜)(Cuprum)	Max. M8(铜)(Cuprum)
背面动力刀具动力头转速 Back power tool power head speed	rpm	-	-	-	-	-	-	-	Max. 5000	Max. 5000	Max. 5000	Max. 5000
背面动力刀具动力头功率 Power of back power tool power head	kw	-	-	-	-	-	-	-	1	1	1	1
快速进给速度 Rapid feed speed	m/min	32(Y1)/24(Z1)/20(X1)	32(Y1)/24(Z1)/20(X1)	32(Y1)/24(Z1)/20(X1)	32(Y1)/24(Z1)/20(X1)	32(Y1)/24(Z1)/20(X1)	32(Y1)/24(Z1)/20(X1)	32(Y1)/24(Z1)/20(X1)	32(Y1/X2)/24(Z1)/20(X1)	32(Y1/X2)/24(Z1)/20(X1)	32(Y1/X2)/24(Z1)/20(X1)	32(Y1/X2)/24(Z1)/20(X1)
进给电机功率 Power of feed motor	kw	1	1	1	1	1	1	1	1	1	1	1
净重 Net-weight	kg	1800	1800	2100	1800	2800	2800	1800	2600	2800	3000	3100
外形尺寸(长×宽×高) Machine size(L×W×H)	mm	2100*1480*1780	2100*1480*1780	2100*1480*1780	2100*1480*1780	2100*1480*1780	2100*1480*1780	2100*1480*1780	2760*1480*1780	2760*1480*1780	2890*1500*1780	2890*1500*1780

本画册内所有图片仅供参考, 以实际交付为准; 本公司产品不断改进, 上述资料若有变更, 恕不另行通知。
All images in this catalog are for reference only. Actual delivery may vary. Our company continuously improves its products, and in the event of any changes to the above information, no separate notice will be given.

数控纵切自动车床

CNC SLITTING AUTOMATIC LATHE

TQ-125/205/126 I /206 I



特点

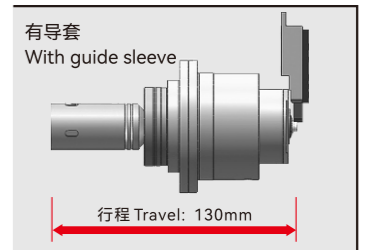
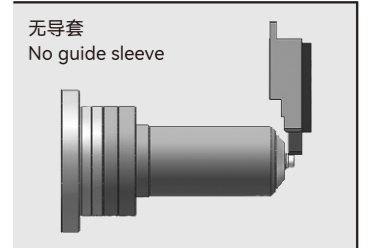
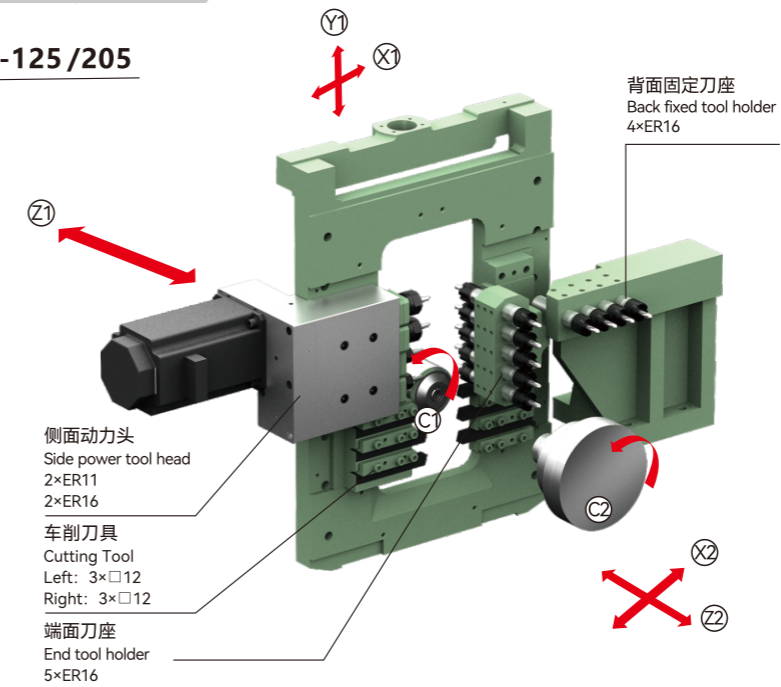
- ★ 双主轴双系统，主副轴采用电主轴
- ★ 可同时进行正面、背面加工
- ★ 刀具丰富，可正面、背面刚性攻丝
- ★ 可选配无导套装置、适宜短工件高精度加工
- ★ 采用三菱M80系统，高速、高精度、高稳定性
三菱系统二次开发，冷热机补偿画面

PRODUCT DESCRIPTION

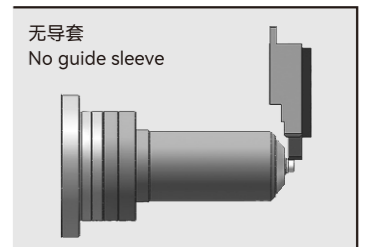
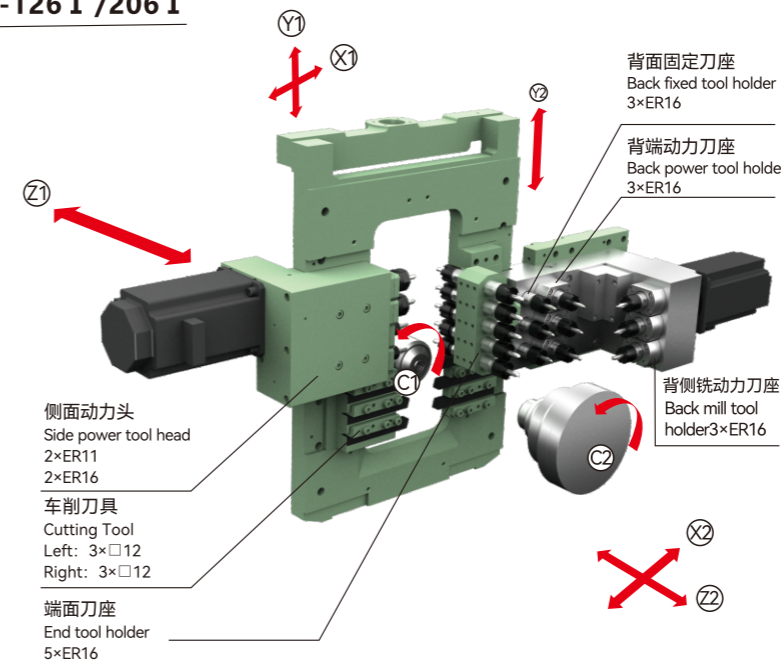
- ★ Double spindle and double system, main and countershafts adopt motorized spindle
- ★ Front and back processing can be performed at the same time
- ★ Abundant tools, rigid tapping on the front and back
- ★ Optional device without guide sleeve, suitable for high-precision processing of short workpieces
- ★ Adopt Mitsubishi M80 system, high speed, high precision and high stability
Secondary development of Mitsubishi system, cooling and heating engine compensation screen

刀具排布 Tool layout

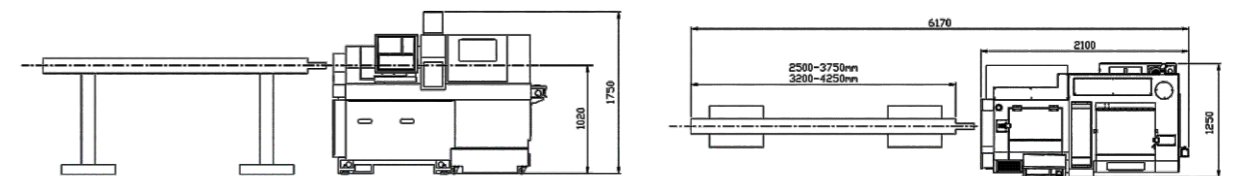
TQ-125 /205



TQ-126 I /206 I

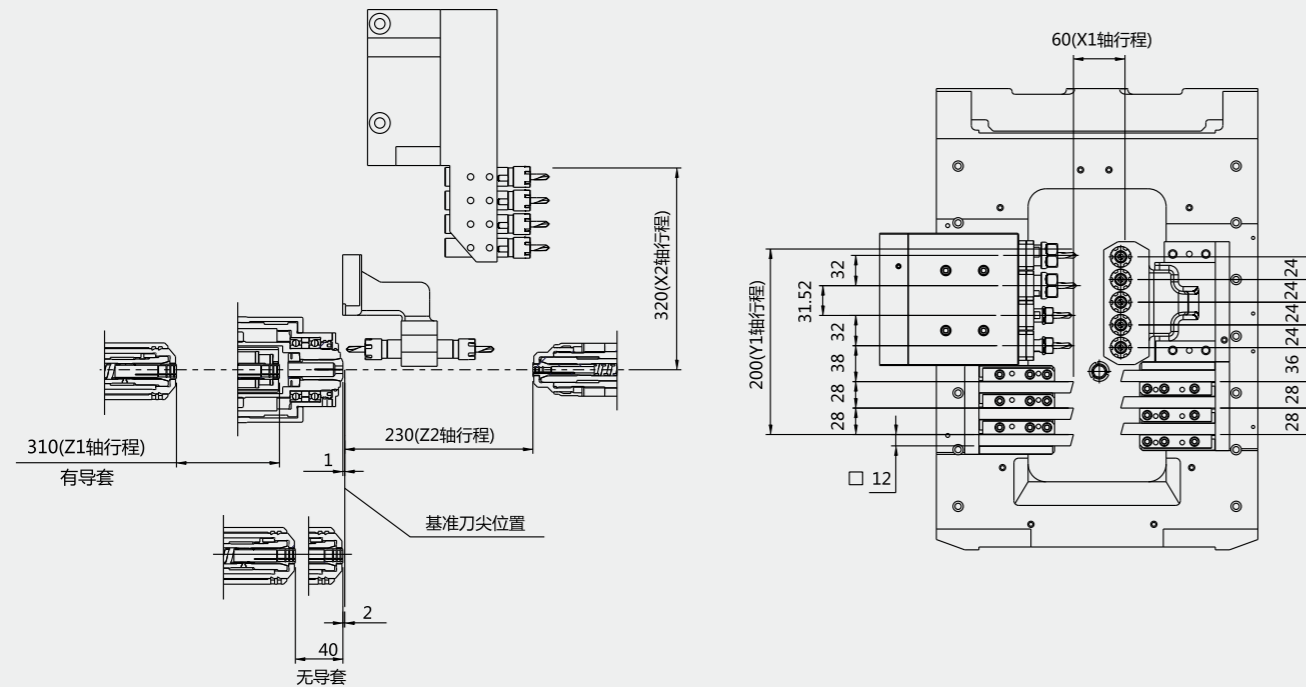


安装图 Assemble

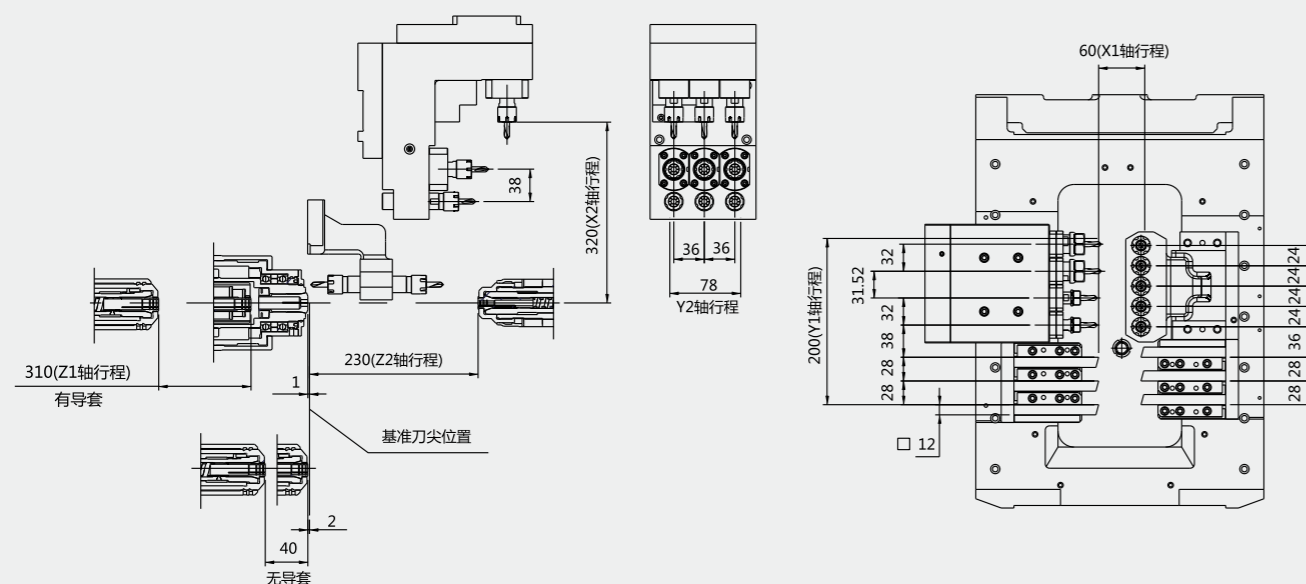


行程干涉图 Tool interference diagram

TQ-125 /205



TQ-126? /206?



TQ系列参数表 Parameter Table

项目 Item	单位 Unit	TQ-125I 5轴, 双主轴 5axis, 2 spindle	TQ-125II 5轴, 双主轴 5axis, 2 spindle	TQ-126I 6轴, 双主轴 6axis, 2 spindle	TQ-205I 5轴, 双主轴 5axis, 2 spindle	TQ-205II 5轴, 双主轴 5axis, 2 spindle	TQ-206I 6轴, 双主轴 6axis, 2 spindle
最大加工直径 Max process diameter	mm	Ø12		Ø12	Ø20		Ø20
一次送料长度 Once feed length	mm	同步导套 130mm, 固定导套 300mm				同步导套 130mm, 固定导套 300mm	
正面钻孔直径 Front hole diameter	mm	Max. Ø8(铜)		Max. Ø8(铜)	Max. Ø10(铜)		Max. Ø10(铜)
正面螺纹加工 Front thread machining		Max. M6(铜)		Max. M6(铜)	Max. M8(铜)		Max. M8(铜)
主轴最大通孔直径 Max hole diameter of spindle	mm	Max. Ø13		Max. Ø13	Max. Ø23		Max. Ø23
NC 装置 NC equipment	标配	Mitsubishi M80 三菱		Mitsubishi M80 三菱	Mitsubishi M80 三菱		Mitsubishi M80 三菱
	选配	SYNTEC 新代 FANUC-OI-TF 发那科		SYNTEC 新代 FANUC-OI-TF 发那科	SYNTEC 新代 FANUC-OI-TF 发那科		SYNTEC 新代 FANUC-OI-TF 发那科
机床额定功率 Machine rating power	kw	10		11	11		11
主轴电机功率 Spindle motor power	kw	1.5/2.2		1.5/2.2	1.5/2.2		1.5/2.2
背轴电机功率 Back-spindle motor power	kw	1.5/2.2		1.5/2.2	1.5/2.2		1.5/2.2
C轴分度 C axis dividing	°	C1/C2 0.001°		C1/C2 0.001°	C1/C2 0.001°		C1/C2 0.001°
主/背轴转速 Spindle/Back spindle speed	rpm	Max. 10000/10000		Max. 10000/10000	Max. 8000/8000		Max. 8000/8000
车削刀具 Cutting tool		6*□12		6*□12	6*□12		6*□12
侧铣刀具 Side mill tool		2*ER11+2*ER16		2*ER11+2*ER16	2*ER11+2*ER16		2*ER11+2*ER16
侧铣刀具钻孔直径 Borehole diameter of side milling tool	mm	Max. Ø8(铜)		Max. Ø8(铜)	Max. Ø10(铜)		Max. Ø10(铜)
侧铣刀具螺纹加工(攻丝/板牙) Threading of side milling tool (Tapping/die)		Max. M6(铜)		Max. M6(铜)	Max. M8(铜)		Max. M8(铜)
侧铣动力头转速 Speed of side milling power head	rpm	Max. 6000		Max. 6000	Max. 6000		Max. 6000
侧铣动力头功率 Power of side milling power head	kw	0.9		0.9	0.9		0.9
端面固定刀具 End face fixing tool		5*ER16		5*ER16	5*ER16		5*ER16
端面固定刀具钻孔直径 End face fixed tool drilling diameter	mm	Max. Ø8(铜)		Max. Ø8(铜)	Max. Ø10(铜)		Max. Ø10(铜)
端面固定刀具螺纹加工(攻丝/板牙) Threading of End Face Fixed Tool (Tapping/Die)		Max. M6(铜)		Max. M6(铜)	Max. M8(铜)		Max. M8(铜)
背端面固定刀具 Back face fixing tool		4*ER16	2*ER16	3*ER16	4*ER16	2*ER16	3*ER16
背端面固定刀具钻孔直径 Back face fixed tool drilling diameter	mm	Max. Ø8(铜)	Max. Ø8(铜)	Max. Ø8(铜)	Max. Ø10(铜)	Max. Ø10(铜)	Max. Ø10(铜)
背端面固定刀具螺纹加工(攻丝/板牙) Threading of Back Face Fixed Tool (Tapping/Die)		Max. M6(铜)	Max. M6(铜)	Max. M6(铜)	Max. M8(铜)	Max. M8(铜)	Max. M8(铜)
背端面动力刀具 Back face power cutting tool		-	2*ER16	3*ER16	-	2*ER16	3*ER16
背端面动力刀具钻孔直径 Back face power tool drilling diameter	mm	-	Max. Ø8(铜)	Max. Ø8(铜)	-	Max. Ø10(铜)	Max. Ø10(铜)
背端面动力刀具螺纹加工(攻丝/板牙) Back face power tool threading (Tapping/die)		-	Max. M6(铜)	Max. M6(铜)	-	Max. M8(铜)	Max. M8(铜)
背端面动力刀具动力头转速 Back face power cutting tool power head speed	rpm	-	Max. 6000	Max. 6000	-	Max. 6000	Max. 6000
背端面动力刀具动力头功率 Back face power tool power head power	kw	-	0.9	0.9	-	0.9	0.9
背侧面动力刀具 Back side power cutting tool		-	-	3*ER16	-	-	3*ER16
背侧面动力刀具钻孔直径 Back side power tool drilling diameter	mm	-	-	Max. Ø8(铜)	-	-	Max. Ø10(铜)
背侧面动力刀具螺纹加工(攻丝/板牙) Back side power tool thread processing (Tapping/die)		-	-	Max. M6(铜)	-	-	Max. M8(铜)
背侧面动力刀具动力头转速 Backside power tool power head speed	rpm	-	-	Max. 6000	-	-	Max. 6000
背侧面动力刀具动力头功率 Back side power tool power head power	kw	-	-	0.9	-	-	0.9
快速进给速度 Rapid feed speed	m/min	32(Y1/Z1/X2/Z2) 20(X1)		32(Y1/Z1/X2/Z2) 20(X1/Y2)	32(Y1/Z1/X2/Z2) 20(X1)		32(Y1/Z1/X2/Z2) 20(X1/Y2)
进给电机功率 Feed motor power	kw	0.9		0.9	0.9		0.9
净重 Net-weight	kg	1900		2000	1950		2100
外形尺寸(长×宽×高) Machine size(L×W×H)	mm	2100*1250*1750		2100*1250*1750	2100*1250*1750		2100*1250*1750

本画册内所有图片仅供参考, 以实际交付为准; 本公司产品不断改进, 上述资料若有变更, 恕不另行通知。
All images in this catalog are for reference only. Actual delivery may vary. Our company continuously improves its products, and in the event of any changes to the above information, no separate notice will be given.

数控纵切自动车床
CNC SLITTING AUTOMATIC LATHE

L-S205/L-S206



系列参数表 Parameter Table

项目 Item	单位 Unit	L-S205	L-S206
最大加工直径	mm	Ø20	Ø20
最大加工长度	mm	240(直联)/180(电动)	140(直联)/180(电动)
正面钻孔直径	mm	Max.Ø10	Max.Ø13
正面螺纹加工	mm	Max.M8	Max.M8
主轴通孔直径	mm	23	27
系统装置		Mitsubishi M80LA三菱	Mitsubishi M80LA三菱
主轴转速	r/min	Max.8000	Max.12000
侧铣最大钻孔直径	mm	Max.Ø10	Max.Ø10
侧铣最大攻丝直径	mm	Max.M8(铜)	Max.M8(铜)
侧铣最大转速	r/min	Max.5000	Max.7560
背面主轴最大加持直径	mm	20	20
背面主轴最大伸出量	mm	50	90
背面主轴最大钻孔直径	mm	Max.Ø10	Max.Ø10
背面主轴螺纹加工	mm	Max.M8(铜)	Max.M8(铜)
背面主轴转速	r/min	Max.8000	Max.12000
背面刀具钻孔直径	mm	Max.Ø10	Max.Ø10
车削刀具	mm	5*□12+1*□16	7*□12
侧铣动力刀具	mm	2*ER11+3*ER16+/2个 插拔动力单元	2*ER11+2*ER16+/2个 插拔动力单元
端面固定刀具	mm	5*ER16	2*ER16 + 2*ER20
背面固定刀具		固定刀具 (选配)	固定刀具 (选配)
Y2动力刀具		/	/
位移速度	m/min	32(Y1/Z1/X2) 20(X1) 24(Z2)	30(Z1/Z2/X2/Y1/Y2) 20(X1)
主轴电机功率	KW	3.7/5.5	7.8/15
副主轴电机功率	KW	3.7/5.5	7.8/15
侧铣背端铣电机功率	KW	1.0	1.0
进给电机功率	KW	1.0	1.0
机床总功率	KVA	12	25
机床总重量	Kg	2600	2800

标准配置 Standard configuration

FANUC系统0i-TF PLUS (5包) *1
10.4" TFT LCD 彩色显示屏*1
主副轴电主轴*1
自动润滑系统*1
电气柜热交换机*1
导套清洁气幕*1
机床照明LED工作灯*1
豪华三色警示灯*1
独立变压器*1
进口气动系统*1
随机工具箱*1
随机附件
出机资料*1
切屑液系统*1
夹头导套 (型号客户定) *1
ER筒夹*11
副主轴气动清洁*1
旋转导套/无导套装置*1
零件传输接料装置*1

选用配置 Optional configuration

油膜式送料机 2.5米*1
油膜式送料机 3.2米*1
高压油泵 70KG*1
静电油雾回收机 *1
链板式排屑器 *1
三支式端面动力刀座 *1
六支式端面动力刀座 *1
背轴端面刀具座 *1
B轴动力刀具座 *1

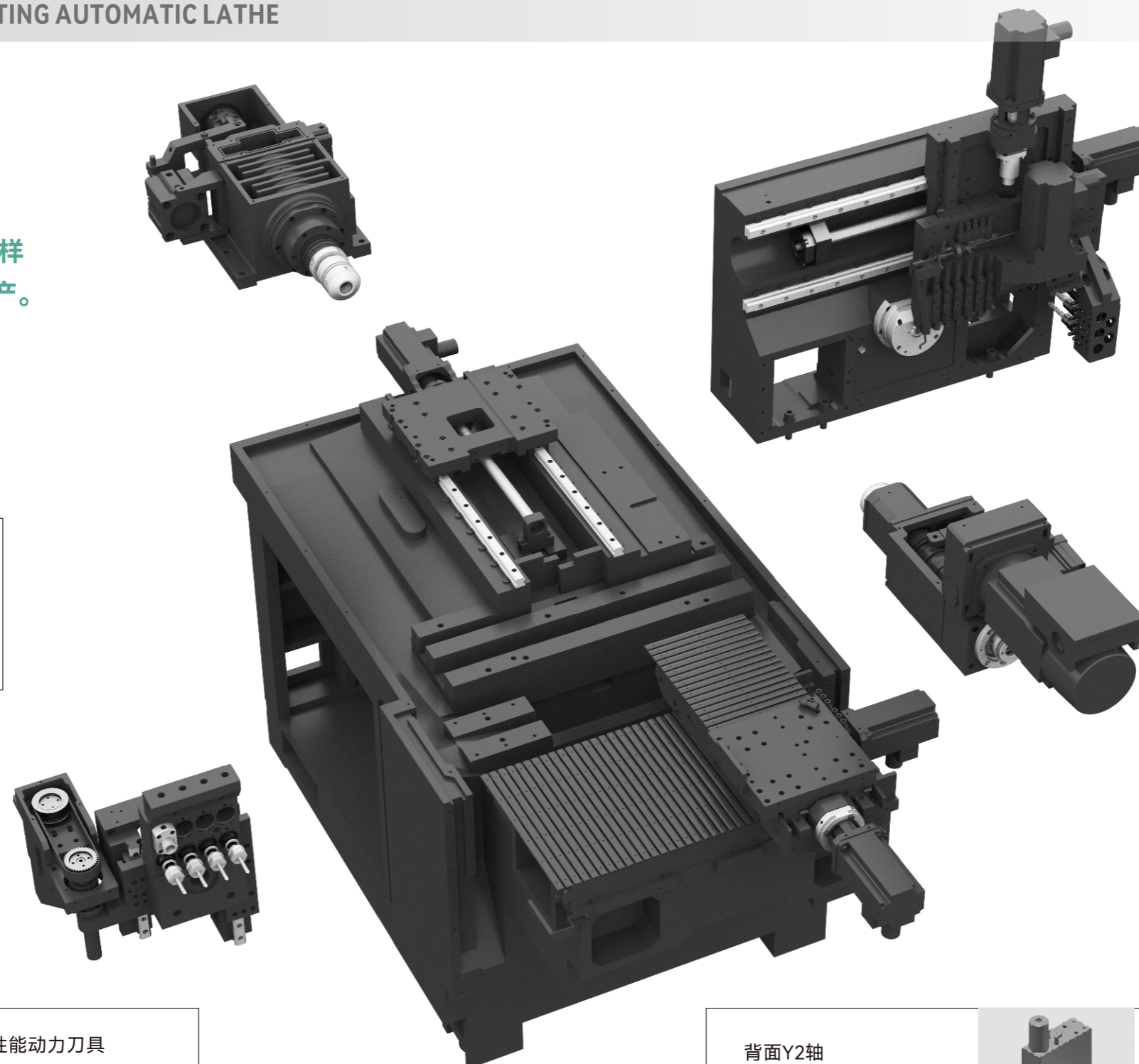
数控纵切自动车床 CNC SLITTING AUTOMATIC LATHE

小投资大收益

机型已全面升级，提高加工能力，提高操作性！选配丰富，加工方案多样选择，适用于复杂形状工件的批量生产。

- ★使用有限元分析工具，不断优化结构布局
- ★兼具高刚性与高稳定性，减振方面效果明显
- ★合理的刀具布局，刀具多样，满足各种加工需求
- ★多种导套模式，有导套无导套灵活切换
- ★高性能双电主轴

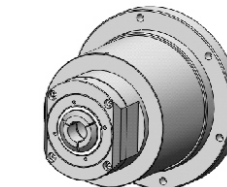
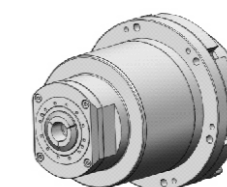
选配背轴侧面动力头(选配)，提高正面复合加工能力。正面加工的同时，可背面加工偏心孔、侧孔、横向攻丝、侧铣、切槽等。配备正面开孔加工用刀座，可应对深孔加工。



模块式车削组合
动力头、内径刀座、车削刀座的多种组合，可根据工件需要自由配置。

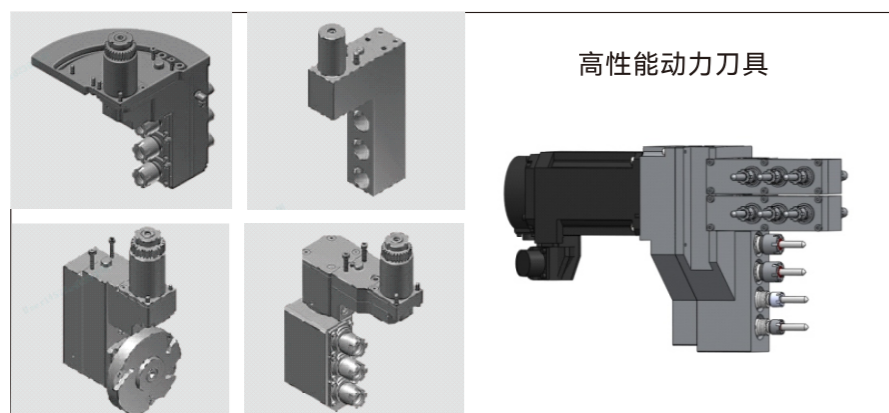
采用电导套(选配)，强化高速、高精度加工。运行高速平衡，提高形状精度、尺寸精度、表面光洁度。

电导套、联结式导套，有导套/无导套可灵活切换。

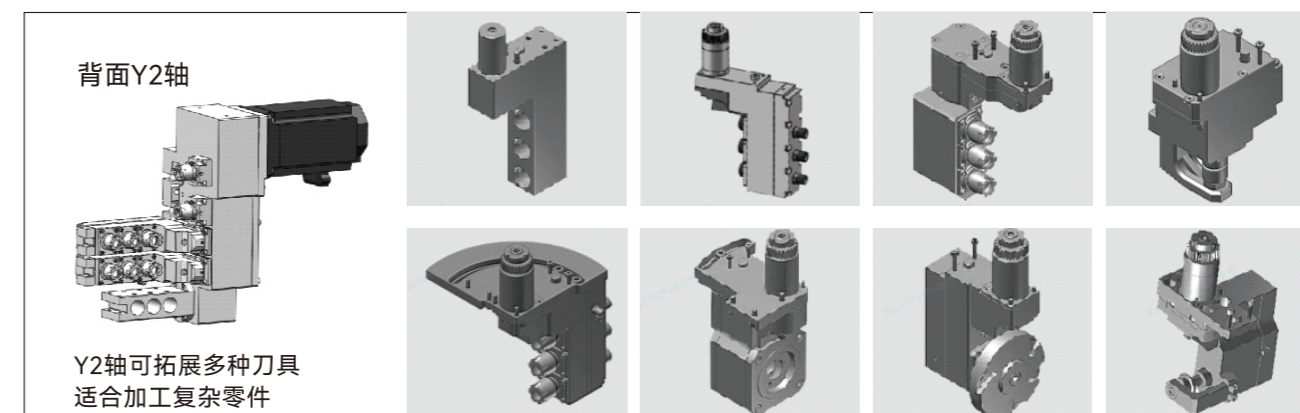


电动导套

联结式导套



高性能动力刀具

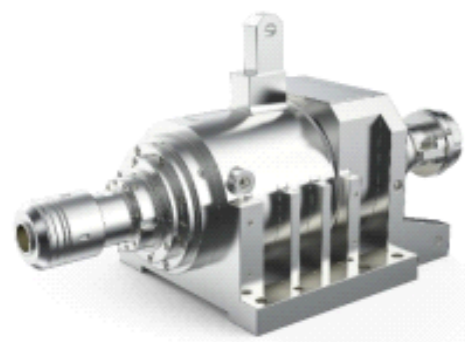


背面Y2轴

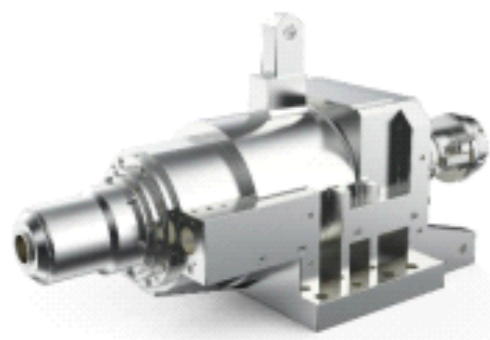
Y2轴可拓展多种刀具
适合加工复杂零件

数控纵切自动车床 CNC SLITTING AUTOMATIC LATHE

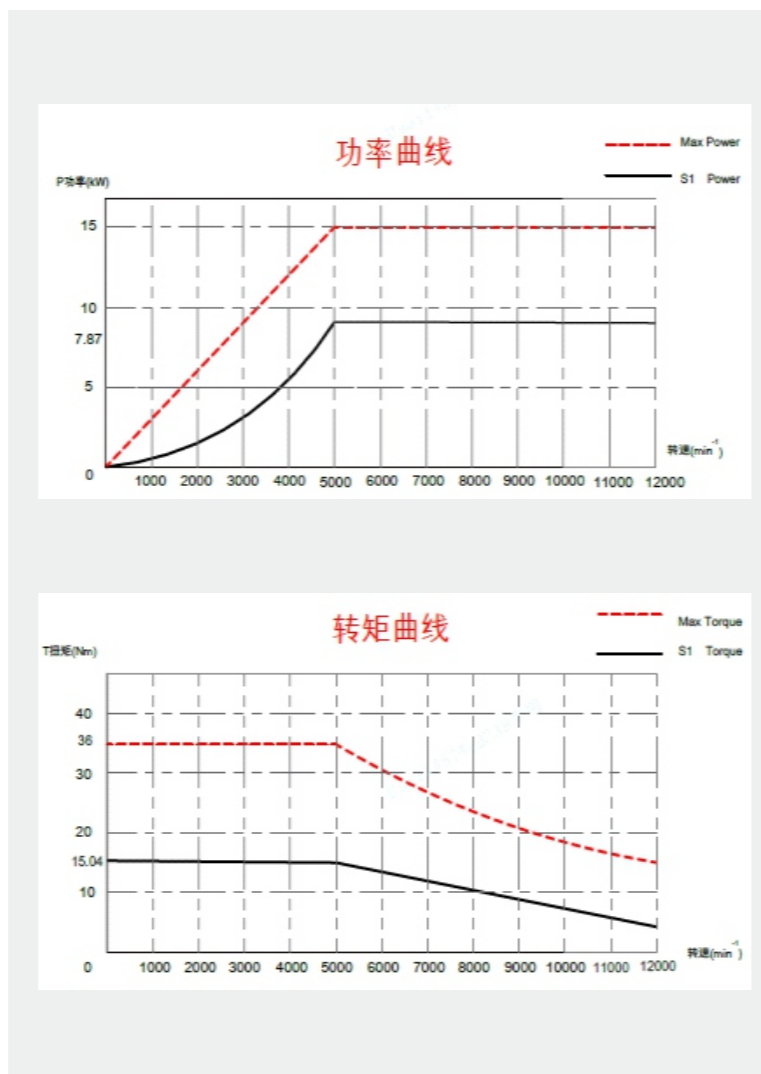
高性能电主轴



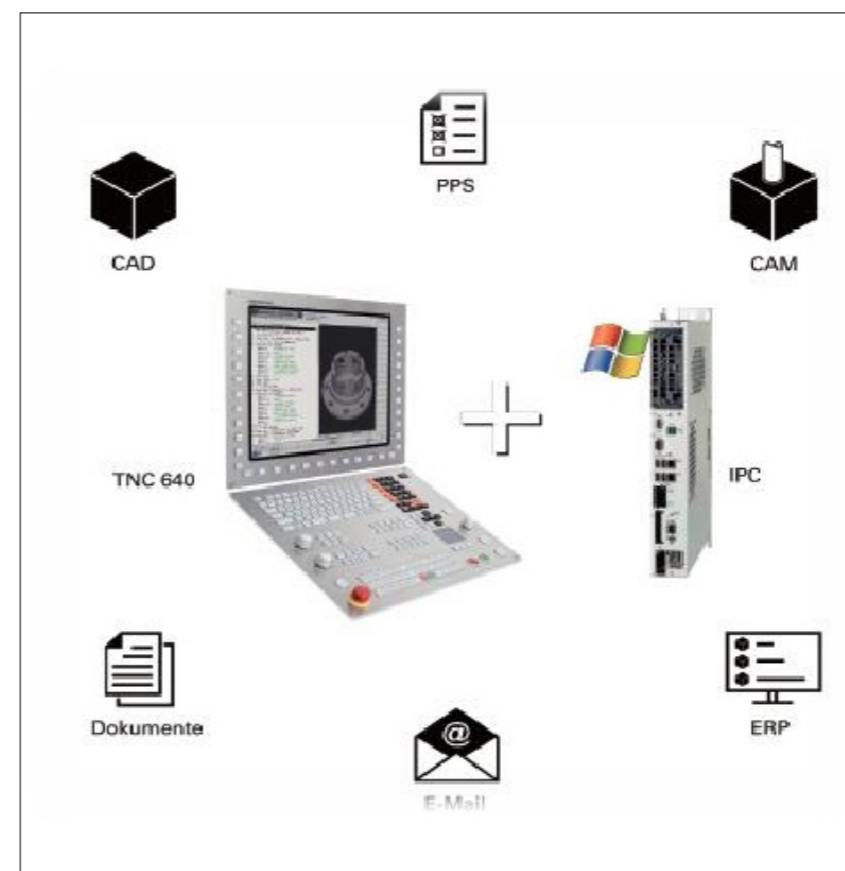
内藏式电主轴
最大车削直径：
Ø20 mm



内藏式电副主轴
最高主轴转速：
主轴:12000r/min
副轴:12000r/min



FANUC系统



高性能



高效率



灵活



安全

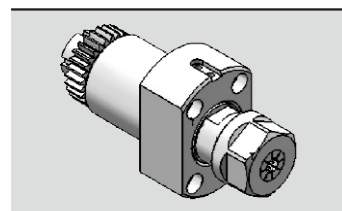


环保

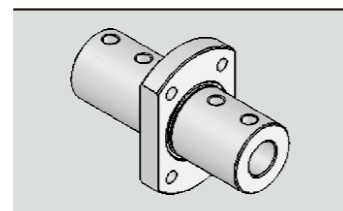


数控纵切自动车床 CNC SLITTING AUTOMATIC LATHE

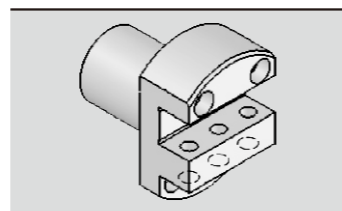
背轴刀具扩展



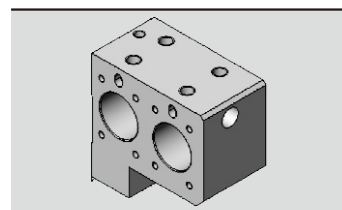
抽芯刀座



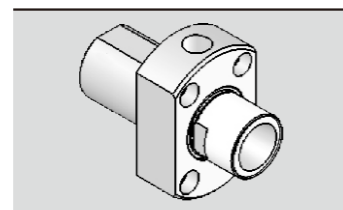
镗孔刀座



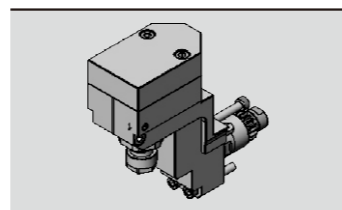
车刀座



扩展刀座

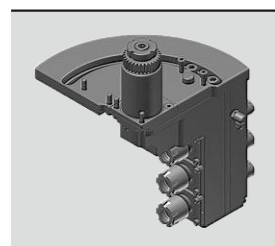


钻孔刀座

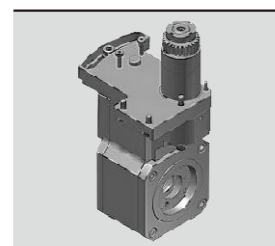


侧铣座

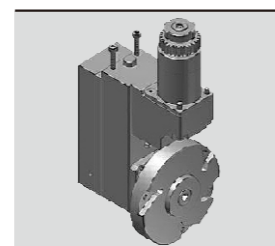
搭配动力头的拓展刀座



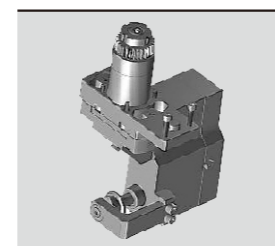
角度调整正面偏心座
转速比: 1/1
最高转速: 6000RPM
可旋转: 0~90°
主轴: ER16
副轴: ER11
适用机型:
ST-203/263,ST-205/265,
ST-206/266



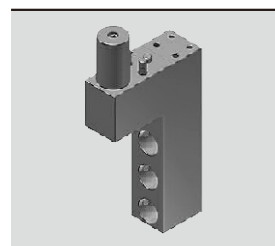
旋风铣/铣牙座
转速比: 1/1
最高转速: 6000RPM
铣牙最大尺寸: M10
角度调整范围: ±15°
适用机型:
ST-203/263,ST-205/265,
ST-206/266



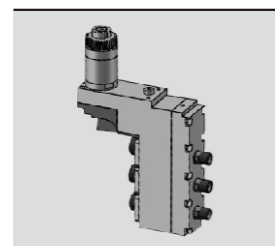
多边铣刀座
转速比: 1/1
最高转速: 3000RPM
刀片最大外径: Ø 95
适用机型:
ST-203/263,ST-205/265,
ST-206/266



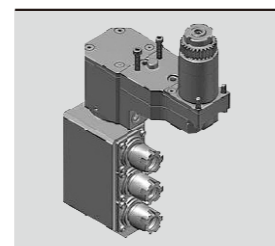
滚齿刀座
转速比: 1/1
最高转速: 6000RPM
角度调整范围: ±15°
适用机型:
ST-203/263,ST-205/265,
ST-206/266



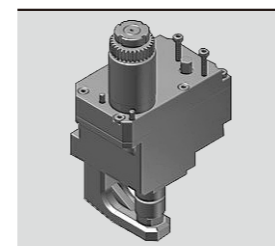
端面钻孔座
柄径: Ø34
孔径: Ø22
刀片最大外径: Ø95
ST-203/263,ST-205/265,
ST-206/266



正面偏心座
转速比: 1/1
最高转速: 5000RPM
筒夹: 3*ER16+3*ER11
适用机型:
ST-203/263,ST-205/265,
ST-206/266

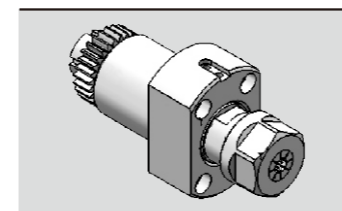


360度正面回转刀座
转速比: 1/1
最高转速: 6000RPM
角度调整范围: 180°
适用机型:
ST-203/263,ST-205/265,
ST-206/266

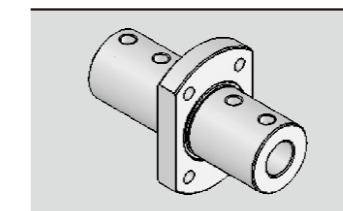


锯片座
转速比: 1/0.374
最高转速: 4000RPM
锯片孔径: Ø12.7
锯片最大外径: Ø95
ST-203/263,ST-205/265,
ST-206/266

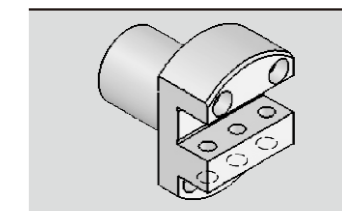
Back spindle cutting tool extension



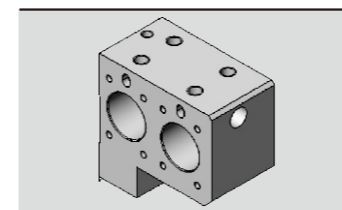
Axial drilling and milling tool holder



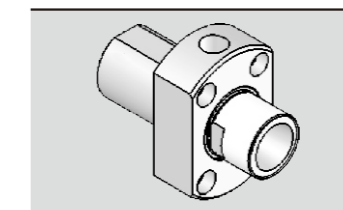
Axial broing tool holder



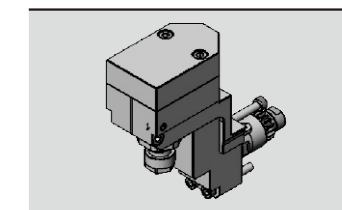
Turning tool holder



Expansion tool holder

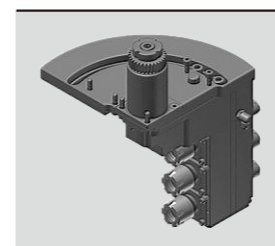


Axial diling tool holder

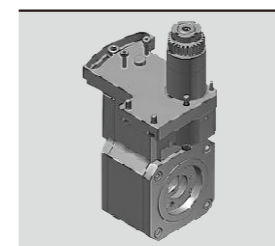


Radial drilling and milling tool holder

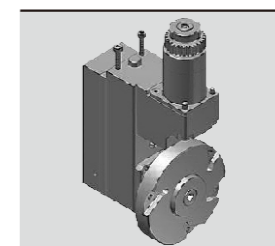
Expansion holder with power head



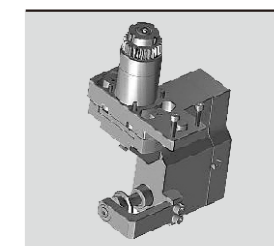
Angle adjustment front eccentric seat
Speed ratio: 1/1
Max speed: 6000RPM
Rotatable: 0~90°
Spindle: ER16
Sub-spindle: ER11
Applicable models:
ST-203/263,ST-205/265,
ST-206/266



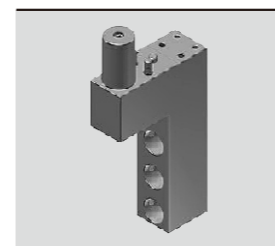
Whirlwind mill/Milling tooth holder
Speed ratio: 1/1
Max speed: 6000RPM
Max milling tooth size: M10
Angle adjustment range: ±15°
Applicable models:
ST-203/263,ST-205/265,
ST-206/266



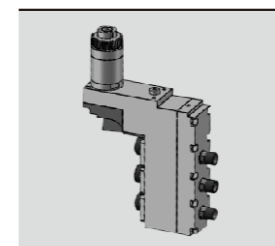
Multilateral milling cutter holder
Speed ratio: 1/1
Max speed: 3000RPM
Max.cutter outer diameter: 95
Applicable models:
ST-203/263,ST-205/265,
ST-206/266



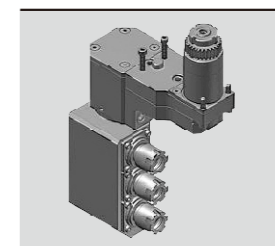
Gear hobbing cutter holder
Speed ratio: 1/1
Max speed: 6000RPM
Angle adjustment range: ±15°
Applicable models:
ST-203/263,ST-205/265,
ST-206/266



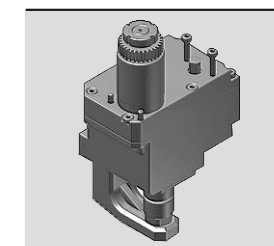
End face drilling seat
Shank diameter: Ø34
Bore diameter: Ø22
Max.cutter outer diameter: Ø95
ST-203/263,ST-205/265,
ST-206/266



Front eccentric seat
Speed ratio: 1/1
Max speed : 5000RPM
Collet chuck: 3*ER16+3*ER11
Applicable models
ST-203/263,ST-205/265,
ST-206/266



360-degree positive rotation of tool holder
Speed ratio: 1/1
Max speed: 6000RPM
Angle adjustment range: 180°
Applicable models:
ST-203/263,ST-205/265,
ST-206/266



Saw blade holder
Speed ratio:1/0.374
Max speed: 4000RPM
Saw blade hole diameter: Ø12.7
Saw blade Max out diameter: Ø95
ST-203/263,ST-205/265,
ST-206/266

数控纵切自动车床 CNC SLITTING AUTOMATIC LATHE

加工案例
PROCESSING SAMPLE



周边设备
PERIPHERAL EQUIPMENT



